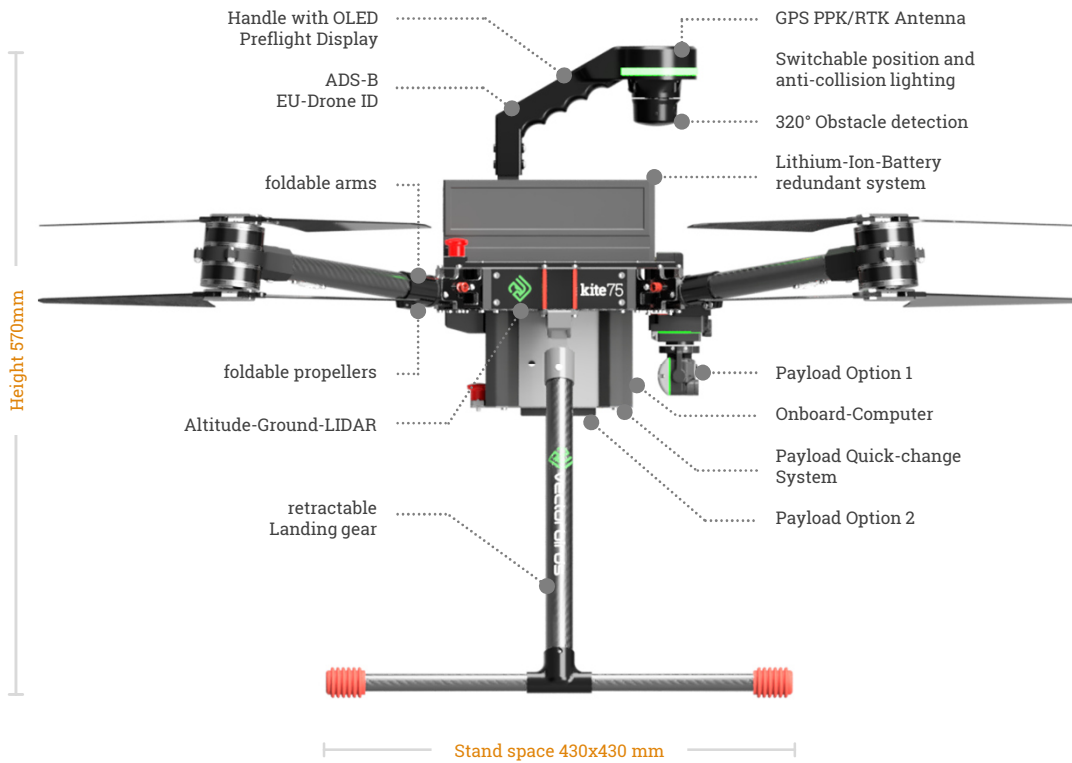




Kite 75 OCTO



GENERAL SUBSCRIPTION

MADE IN GERMANY:

The Kite 75 is a professional, multifunctional, medium sized drone system, developed and manufactured in Germany.

MULTIFUNCTIONAL DESIGN:

The functionality of the Kite 75 can be adapted to customer requirements. Since the payload is interchangeable, the Kite 75 is ready for various applications and special customer requirements.

LONG LIFE CYCLE:

The use of high-quality components, as well as the expandability with further modules and functions, are a guarantee for an exceptionally long service life.

DATA INTEGRITY:

The Kite 75 was developed with a focus on a high data security level. Data can be stored and transmitted in encrypted form.



MAIN FEATURES

- ✓ Very compact transport dimensions
- ✓ Redundant battery operation
- ✓ Battery quick-change system
- ✓ Up to 35 minutes flight time
- ✓ Payload quick-change system
- ✓ Carrying Handle
- ✓ Retractable landing gear
- ✓ Switchable colour lighting
- ✓ Ready for tether-operation



TECHNICAL DATA

Dimensions	Rotordiagonals: 890 mm Ø Package size [mm]: 430 x 430 x 580 Ready to fly [mm]: 650 x 650 x 580
Propellers	20/22" Ø
Motors	Brushless Outrunner
Battery	2x LiPo or LiIon Batteries redundant system, decoupled
Weight	4,2 kg
TOW max.	12,1 kg
Speed	Travel: 21,6 km/h Max: 32,4 km/h
Climbing performance	4 m/s max.
Flight altitude ASL	4000m max.
Wind resistance	17m/s max.
Working temperature	-20°C to +50°C
Protection class	IP54
Flight time	up to 35 Minutes with LiIon-Batteries
Sensors	2x Magnetometer, 2x GNSS, 2x Barometer, heated IMU, 320° LIDAR, altitude-LIDAR
Datalink / Control Link	2,4 GHz control link and digital video transmission, LTE other frequencies on request!
Operating range	RX/TX: 5km LTE: ∞
Data transmission/ protocols	AES 256 encryption, MavLink, optional STANAG 4586
Video standards	MPEG-2, MISB ST 0601 / KLV Metadata



OPTIONS

Transport case

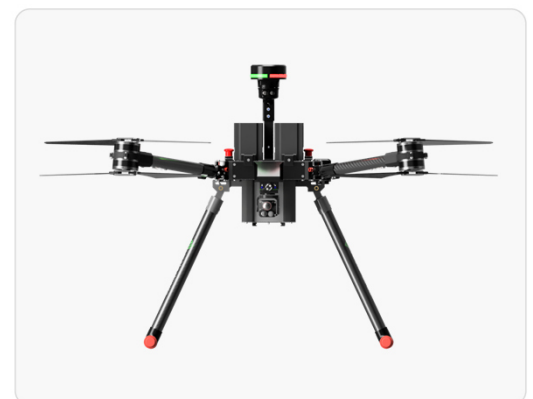
Obstacle detection

LIDAR altitude measurement

ADS-B transponder, EU Drone-ID

Payload modules: Search-and-Rescue,
Observation,
Mapping, Inspection, Trichogramma,
Custom

Tether ground station



Hauptstraße 60
37434 Bilshausen
Germany

Last update: March 2023

CONTACT US

✉ info@vectorbirds.de

☎ +49 (0) 5528 . 9995030

🌐 vectorbirds.com