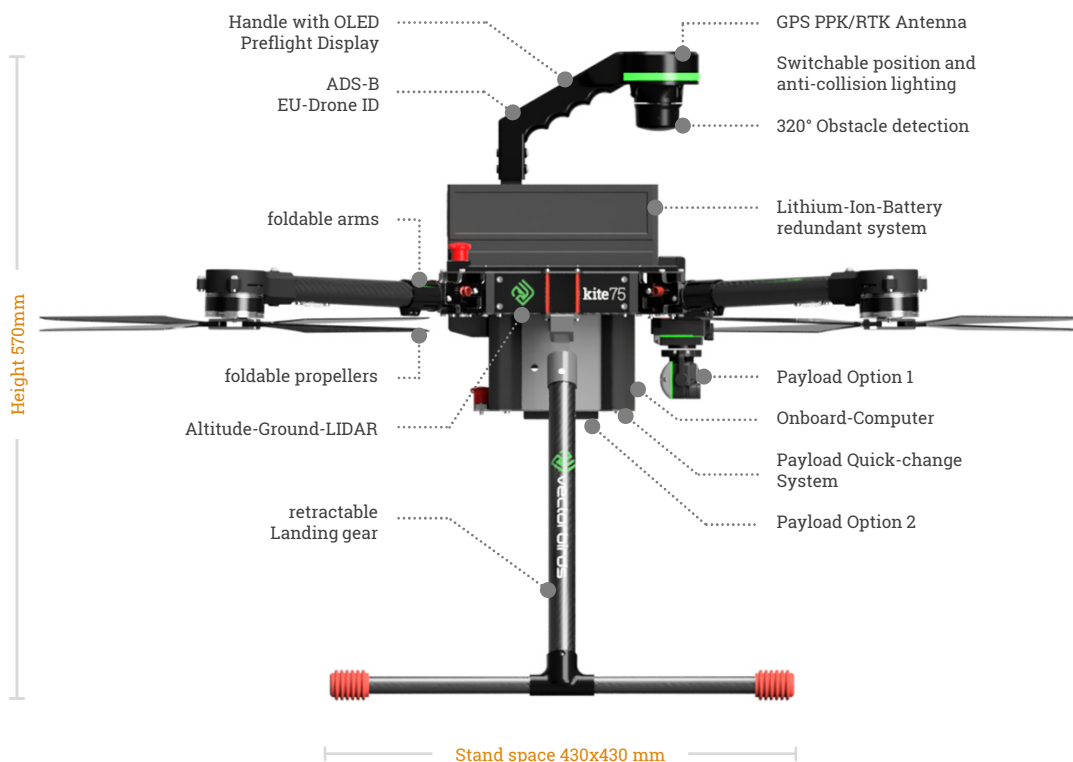




# Kite 75 QUAD



## GENERAL SUBSCRIPTION

### MADE IN GERMANY:

The Kite 75 is a professional, multifunctional, medium sized drone system, developed and manufactured in Germany.

### MULTIFUNCTIONAL DESIGN:

The functionality of the Kite 75 can be adapted to customer requirements. Since the payload is interchangeable, the Kite 75 is ready for various applications and special customer requirements.

### LONG LIFE CYCLE:

The use of high-quality components, as well as the expandability with further modules and functions, are a guarantee for an exceptionally long service life.

### DATA INTEGRITY:

The Kite 75 was developed with a focus on a high data security level. Data can be stored and transmitted in encrypted form.



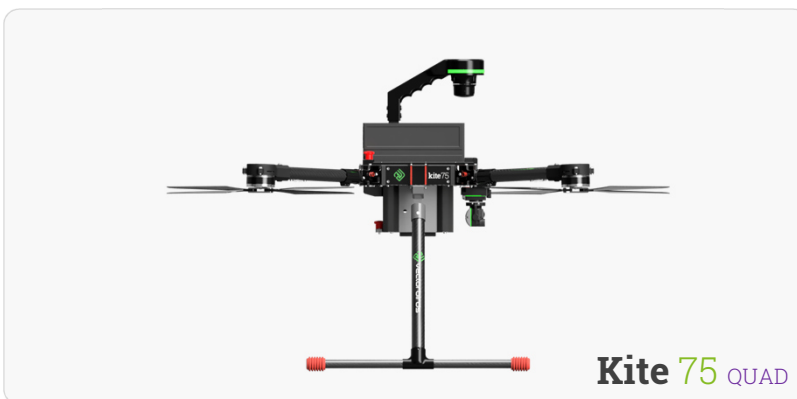
## MAIN FEATURES

- ✓ Very compact transport dimensions
- ✓ Redundant battery operation
- ✓ Battery quick-change system
- ✓ Up to 35 minutes flight time
- ✓ Payload quick-change system
- ✓ Carrying Handle
- ✓ Retractable landing gear
- ✓ Switchable colour lighting
- ✓ Ready for tether-operation



## TECHNICAL DATA

Dimensions	Rotordiagonals: 890 mm Ø Package size [mm]: 430 x 430 x 580 Ready to fly [mm]: 650 x 650 x 580
Propellers	20/22" Ø
Motors	Brushless Outrunner
Battery	2x LiPo or LiIon Batteries redundant system, decoupled
Weight	3,6 kg
TOW max.	8,5 kg
Speed	Travel: 21,6 km/h Max: 32,4 km/h
Climbing performance	3,5 m/s max.
Flight altitude ASL	4000m max.
Wind resistance	15m/s max.
Working temperature	-20°C to +50°C
Protection class	IP54
Flight time	up to 40 Minutes with LiIon-Batteries
Sensors	2x Magnetometer, 2x GNSS, 2x Barometer, heated IMU, 320° LIDAR, altitude-LIDAR
Datalink / Control Link	2,4 GHz control link and digital video transmission, LTE other frequencies on request!
Operating range	RX/TX: 5km   LTE: ∞
Data transmission/ protocols	AES 256 encryption, MavLink, optional STANAG 4586
Video standards	MPEG-2, MISB ST 0601 / KLV Metadata



## OPTIONS

Transport case

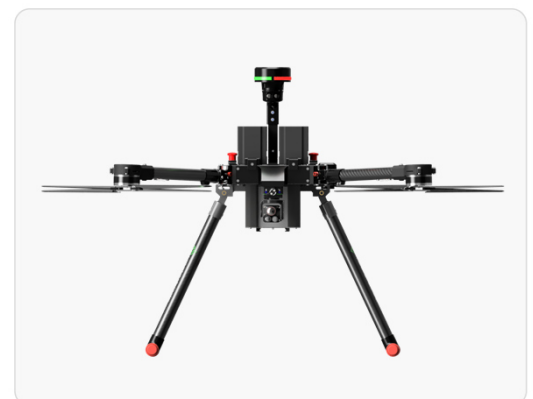
Obstacle detection

LIDAR altitude measurement

ADS-B transponder, EU Drone-ID

Payload modules: Search-and-Rescue,  
Observation,  
Mapping, Inspection, Trichogramma,  
Custom

Tether ground station



Hauptstraße 60  
37434 Bilshausen  
Germany

Last update: March 2023

CONTACT US

✉ info@vectorbirds.de

☎ +49 (0) 5528 . 9995030

🌐 vectorbirds.com